

MINISTRY OF EDUCATION, HERITAGE & ARTS

WORKSHEET 7 YEAR 11 2021

TECHNICAL DRAWING

STRAND 1(1.3, 1.4): GEOMETRY

INSTRUCTIONS:

1. Use your exercise book to do all the questions given below.
2. All measurements are in millimeters
3. Show all your construction lines clearly.

NAME:

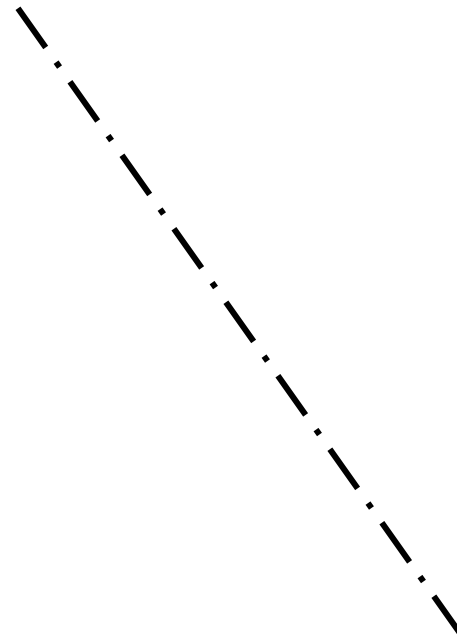
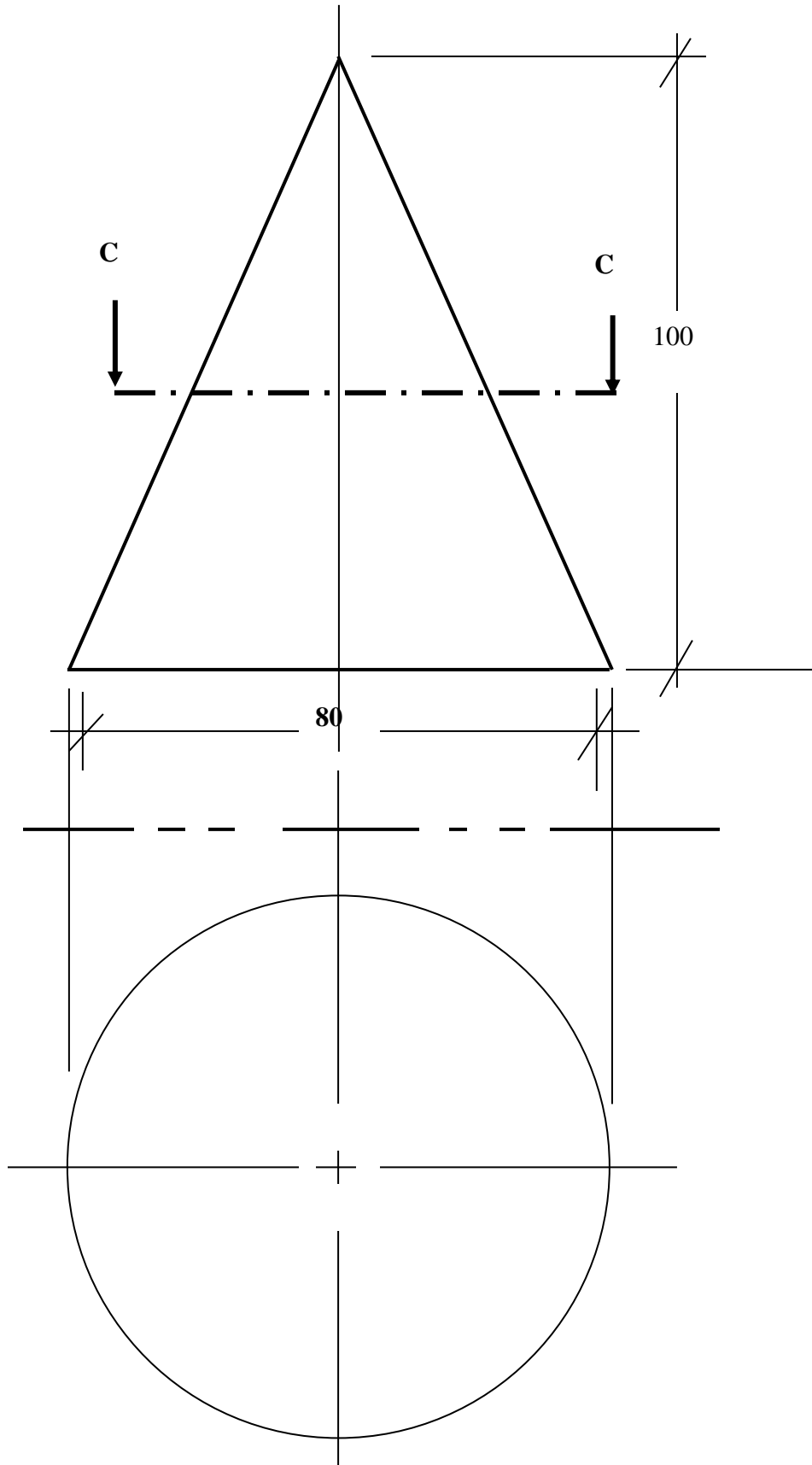
SECTION B

QUESTION 1 (25 marks)

PART A (10 marks)

Given: The Elevation of Cone cut by cutting plane C-C

Required: (i) Draw the conic section produced by cutting plane C - C. (10 marks)

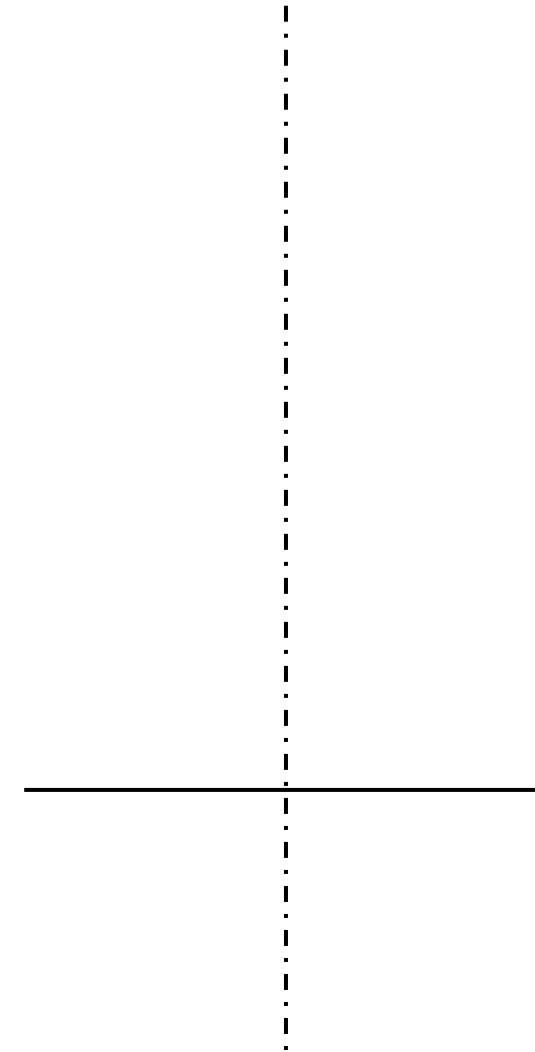


PART B

(10 marks)

Given: The center line and the starting line of the base of a cylinder

Required: Draw the Elevation of a 20mm wide spiral platform of two right hand revolutions, having a pitch of 50mm and internal diameter of 50mm.



BQ1A			
1	Correct center label D,V,F	3	
2	Correct perpendicular line shown	2	
3	Correct method shown	3	
4	Correct shape	1	
5	Accuracy	1	
BQ1B			
8	Correct method	3	
9	Correct division	2	
10	Correct label	2	
11	Correct Curve	2	
12	Accuracy	1	